

High-Speed Camera

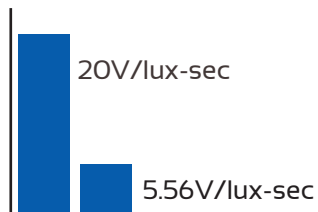
HS 2.0 MP - 500 FPS - 10GigE

World's Fastest 10GigE Streaming Camera

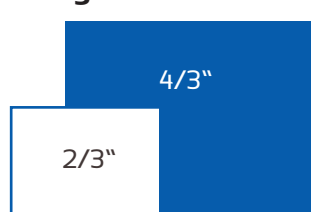


BEST-IN-CLASS 2.0 MP SENSOR

Most Sensitive



Largest Sensor



Largest Pixels

10 μ m vs 5.5 μ m



If you want to go fast, you need a large, sensitive camera that can convert light into signals. The HS-2.0 camera contains the Alexima LUX19HS sensor and at 20V/lux-sec, it is over 3 times as sensitive as its competition.

500 FPS HD PERFORMANCE

Using a global shutter, the HS 2.0 achieves 500 Frames/second with 8-bit pixels or 400 frames/second using 10-bit pixels. Even faster rates are achieved for smaller Regions of Interest.

10 GIG ETHERNET, FIBER OR COPPER

The camera's SFP+ connection allows for both copper and fiber interfaces. This enables long cable runs using low-cost Ethernet cabling, switches, and network interfaces. This saves over \$2500 as no frame grabber is required.

Camera Applications



Machine Vision



Additive Manufacturing



Industrial & Scientific Research



Military

Concurrent GigaSens™ HS 2.0-500-10GigE

SPECIFICATIONS (MONOCHROME/COLOR)

Resolution	2 Mpix
Active pixels	1920 x 1080px
Interface	10 GigE Vision (SFP+)
Frame rate (8 bit)	500 fps (full frame)
Sensor	LUX19HS
Sensor type	CMOS global shutter
Sensor format	4/3"
Active sensor area (H x V)	17.50 x 11.80 mm
Pixel size	10 x 10 µm
Sensitivity (mono)	20 V/lux*s @ 550 nm
Pixel data width	10 / 8 bit
Dynamic range	60 dB
Shutter time (steps)	1 µs
Shutter time (range)	2 µs - 1 s

Max. Trigger frequency	300 kHz
Max. Jitter via CXP Trigger	+/- 4 ns
Mount options	C-Mount / F-Mount
Input/Output	
Camera Control	Trigger In / Strobe Out
General Purpose	3 GPIO Signals
Dimensions	
(W x H x L w/o mount)	80 x 80 x 53 mm
Weight (C-Mount)	450 g
Power consumption	13 W
Power supply	12 - 24 VDC
Camera body temperature	+5 °C to +50 °C
Shock / Vibration proof	70 g / 7 grms
Conformity	GenICam / CE / RoHS

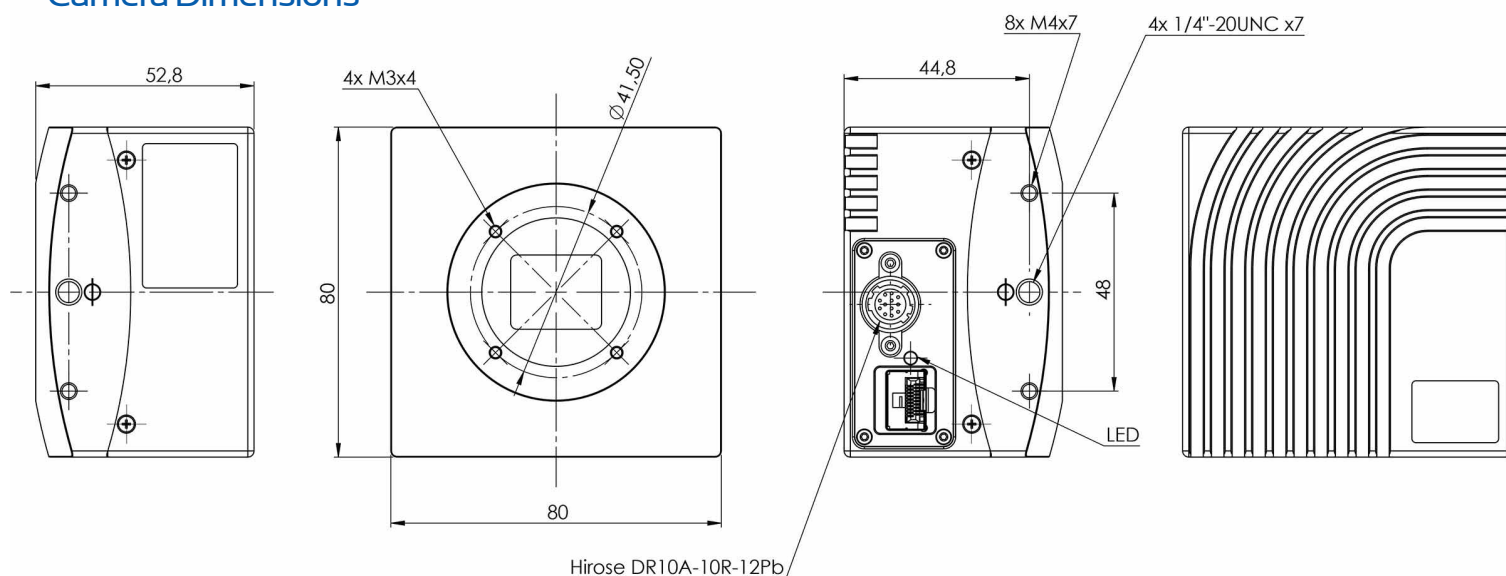
Frame rates

Resolution	Frame rate
1920 x 1080 px	500 fps
1280 x 864 px	625 fps
1024 x 768 px	703 fps
640 x 480 px	1125 fps
128 x 128 px	4220 fps

Concurrent is a Preferred Technology Partner of

MIKROTRON
High-Speed Vision Solutions

Camera Dimensions



GigaSens

CONCURRENT EDA

Phone: 412-687-8800

5001 Baum Blvd, STE 640

www.concurrenteda.com

© 2020 Concurrent EDA

| info@concurrenteda.com

| Pittsburgh, PA 15213 USA